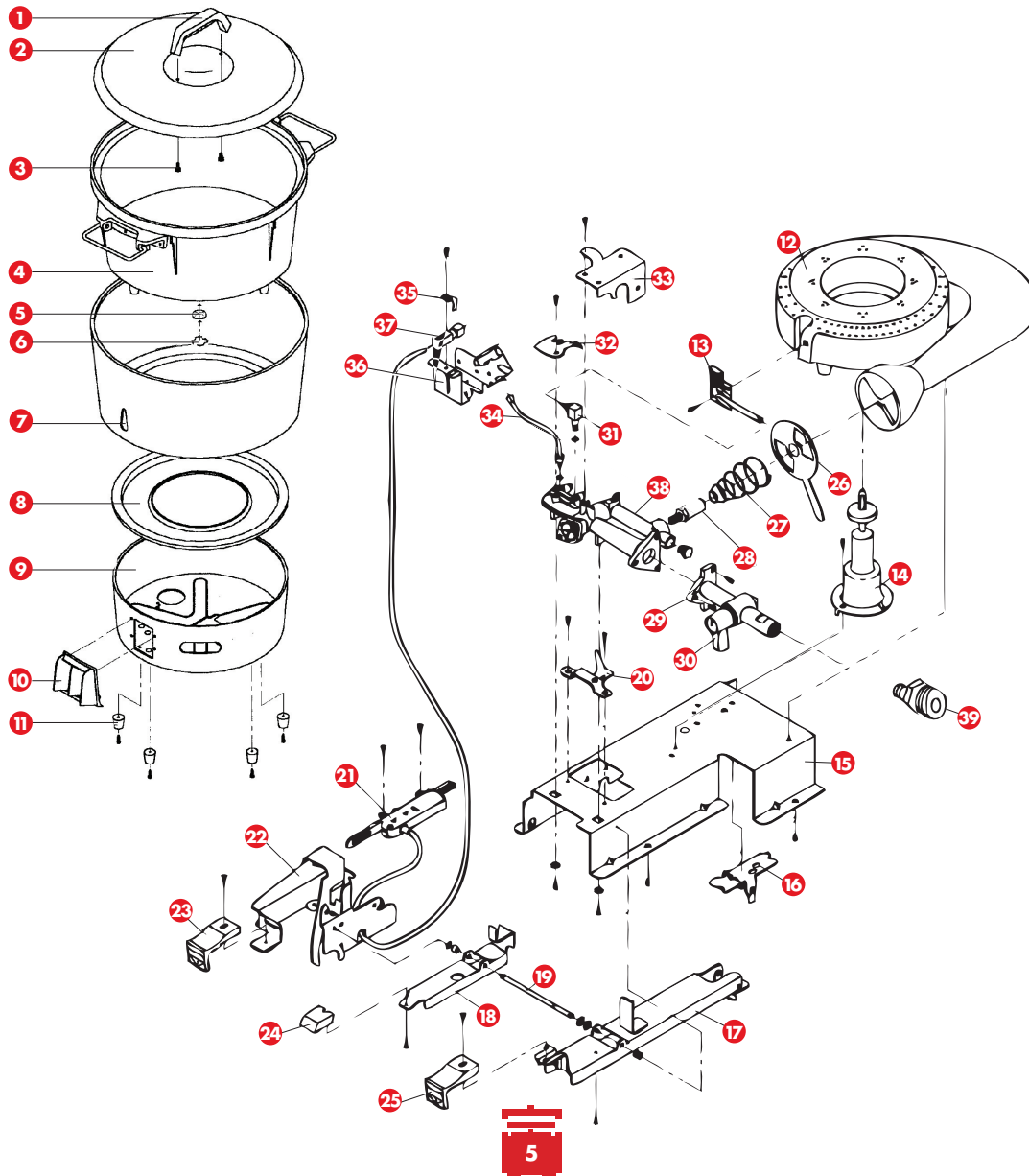


SPECIFICATIONS, DIMENSIONS, AND GAS INPUT INFORMATION

	RM-50/55N-R	RM-50/55P-R
TYPE OF GAS	natural	propane
BTU	34,600	27,300
GAS CONNECTION	¾" NPT	¾" NPT
LIQUID CAPACITY	24 qts.	24 qts.
UNIT SIZE	22" (depth) x 17" (height)	22" (depth) x 17" (height)
NET WEIGHT	43 lbs.	43 lbs.
CARTON SIZE	21" x 21" x 18"	21" x 21" x 18"
MASTER CARTON	1 unit (4.4 cu. ft.)	1 unit (4.4 cu. ft.)
SHIPPING WEIGHT	46 lbs.	46 lbs.
COLOR	RM-50N: red base, RM-55N: gray base	RM-50P: red base RM-55P: gray base
CAPACITY	raw rice: 18 lbs. (55 6 oz. cups*) cooked rice: 43 lbs. (110 6 oz. cups*)	raw rice: 18 lbs. (55 6 oz. cups*) cooked rice: 43 lbs. (110 6 oz. cups*)

*Asian standard measurement of 6 oz., opposed to an 8oz. cup

PARTS LIST



PARTS LIST

NUMBER	PART NUMBER	DESCRIPTION
1	56881	cover handle, heat resistant
2	56882	stainless steel rice pot cover with handle
3	56881-S	cover handle screw
4	56853	cast iron aluminum rice pot
5	56855	encased sensing element, bimetalic
6	56856	sensing element retaining spring
5/6	56854	sensing element kit
7	56884	outer jacket for RM-50
7	56884A	outer jacket for RM-55
8	56885A	RM-55 stainless steel base cover (56885 for RM-50)
9	56852-1	lower body for RM-50 (red)
9	56852-1A	lower body for RM-55 (grey)
10	56866	control panel frame
11	56863	non-mar feet
12	56852-2	cast iron burner
13	56878	pilot with retaining plate
14	56857	shut off stem assembly
15	56852-3	burner assembly base
16	56857-1	burner ignition arm release
17	56867	burner ignition arm
18	56864-1	pilot ignition arm
19	56864-2	ignition arm shaft
20	56862-2	burner ignition arm limiter
21	56870	piezo ignition assembly
22	56870-1	ignition lever assembly
23	56865	no.1 start button
24	56864	red pilot warmer button
25	56862	no.2 main burner button
26	56852-4	air shutter
27	56852-4S	air shutter spring
28	56868	main burner orifice, natural gas (.475mm/#77 drill)
28	56869	main burner orifice, propane gas (.343mm/#80 drill)
29	56860	on/off gas valve
30	56861	gas valve knob
31	56879	pilot orifice, natural gas
31	56880	pilot orifice, propane gas
32	56874-1	ignition line retaining plate
33	56872	pilot orifice retaining plate
34	56874	pilot ignition line, natural gas
34	56873	pilot ignition line, propane gas
35	56871-1	ceramic electrode clamp
36	56870-2	ceramic electrode holder
37	56871	ceramic electrode
38	56875	manifold assembly, natural gas
38	56876	manifold assembly, propane gas
	RM-55N-REG	¾" pressure regulator, natural gas
	RM-55P-REG	¾" pressure regulator, propane gas
39	56861-B	brass connecting fitting (older models)



RiceMaster

