



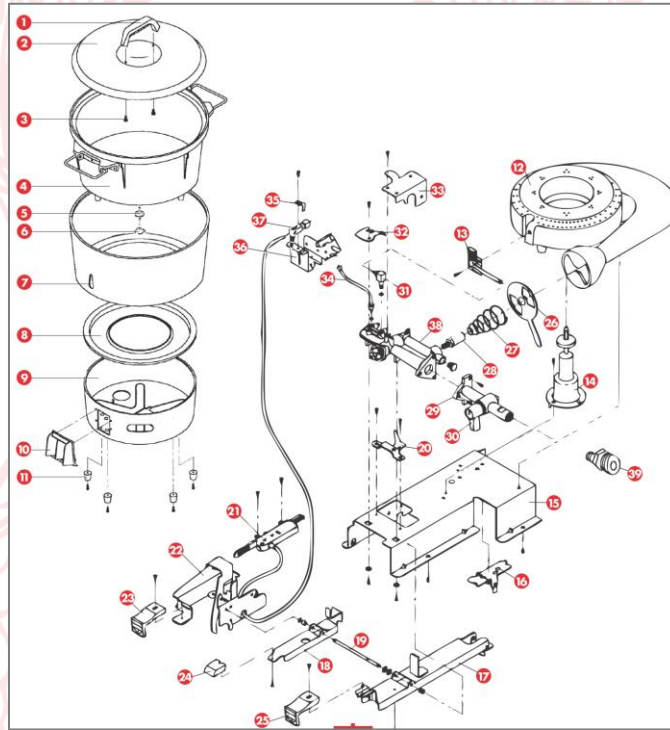
TOWN

FOOD SERVICE EQUIPMENT CO., INC.

珍富公司

72 Beadel Street | Brooklyn, NY 11222

Gas Type Conversion – RM Series Gas Rice Cooker



Parts Required

Number	Description	Conversion to Natural Gas Part number	Conversion to Propane Gas Part number
28	BURNER ORIFICE	56868	56869
31	PILOT ORIFICE	56879	56880
34	PILOT IGNITION LINE	56874	56873
38	MANIFOLD ASS'Y	56875	56876
----	GAS PRESSURE REG.	RM-55N-REG	RM-55P-REG

ANY AND ALL GAS/PLUMBING WORK ON THE UNIT MUST BE DONE BY A LICENSED GAS PROFESSIONAL

RM-CONVERSION v05-2023



800/221.5032
718/388.5650



718/388.5860



customerservice@townfood.com



www.townfood.com